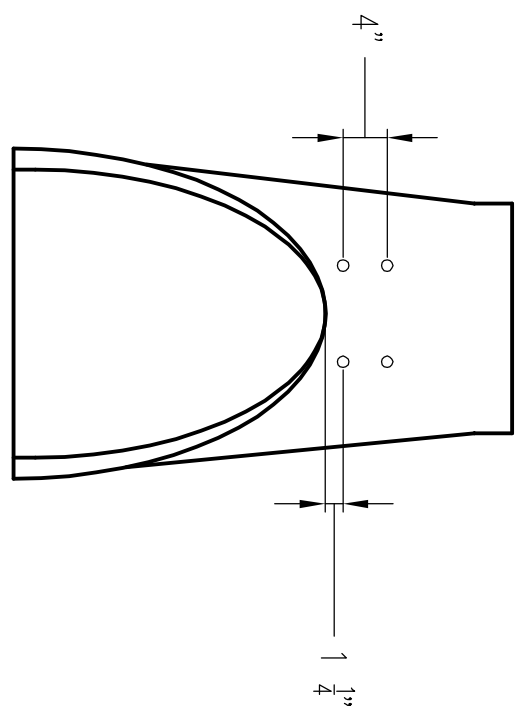


CIRCULAR EQUIVALENT (INCHES)	INTERNAL RISE X SPAN (INCHES)	R (INCHES)	S (INCHES)	T (INCHES)
18	14 X 23	23.00	7.75	4.25
24	19 X 30	29.00	10.25	5.75
30	24 X 38	36.25	12.75	6.25
36	29 X 45	43.50	15.25	7.00
42	34 X 53	50.50	17.75	7.50
48	38 X 60	57.63	20.00	8.00
54	43 X 68	63.00	23.00	8.50
60	48 X 76	70.00	26.00	9.00

- SLIGHT VARIANCES IN THE CONSTRUCTION OF THE TRASH RACK AND MOUNTING PLATES COULD OFFSET ALIGNMENT ON THE FLARED END SECTION
- IT IS RECOMMENDED THAT YOU ALIGN THE TRASH RACK ON THE END SECTION PRIOR TO DRILLING MOUNTING HOLES
- MOUNTING HARDWARE IS INCLUDED AND SHIPPED WITH TRASH RACK

TOP VIEW



725 BRYAN STOCK TRAIL
 CASPER, WYOMING 8260
 Phone: (307)265-3100
 Fax: (307)265-0013

DRAWN BY: MDB DATE: 2-18-09
ELLIPTICAL FLARED END TRASH RACK MOUNTING