

**STANDARD SPECIFICATIONS
(MANUFACTURE)**

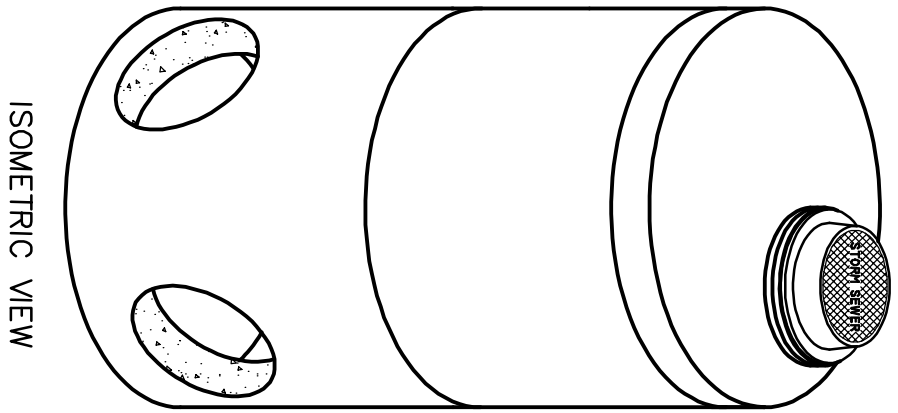
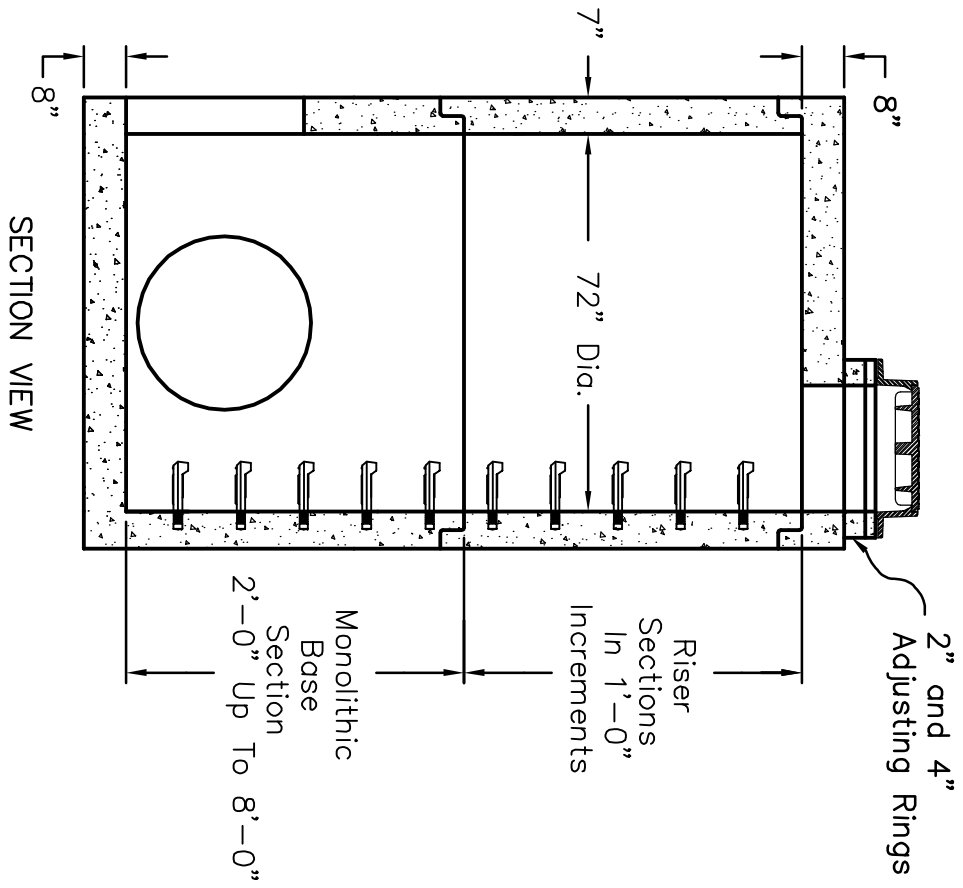
- ASTM C-478
- AASHTO M-199

**JOINT SPECIFICATIONS
(RUBBER GASKET)**

- ASTM C-443
- AASHTO M-315

**JOINT SPECIFICATIONS
(FILEXIBLE SEALANT)**

- ASTM C-990
- AASHTO M-198-B



- ECCENTRIC CONCRETE LID SHOWN, CONCENTRIC CONCRETE LID AVAILABLE UPON REQUEST.
- STEPS, RING & COVER, AND KNOCKOUTS OPTIONAL.
- RISERS AVAILABLE UP TO 8'-0" MAXIMUM HEIGHT.
- A MINIMUM OF 12" IS SUGGESTED FOR CONCRETE SUPPORT BETWEEN KNOCKOUTS AND/OR. MANHOLE JOINT. MAXIMUM KNOCKOUT SIZE IS 64" DIAMETER.
- PLEASE CALL FOR SPECIAL APPLICATIONS.



725 BRYAN STOCK TRAIL,
CASPER, WYOMING 82609
Phone: (307)265-3100
Fax: (307)265-0013

BY MDB | DATE: 2-17-09 | SCALE: NONE
**72" DIA. STORM
SEWER MANHOLE**