

**STANDARD SPECIFICATIONS  
(MANUFACTURE)**

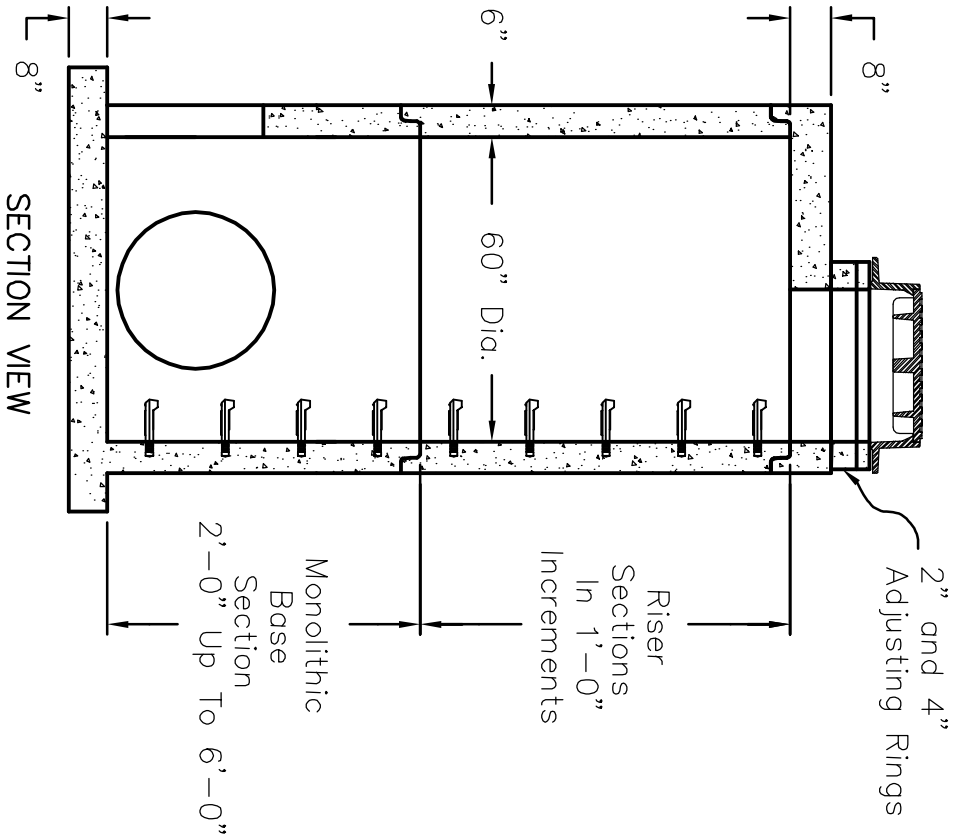
- ASTM C-478
- AASHTO M-199

**JOINT SPECIFICATIONS  
(RUBBER GASKET)**

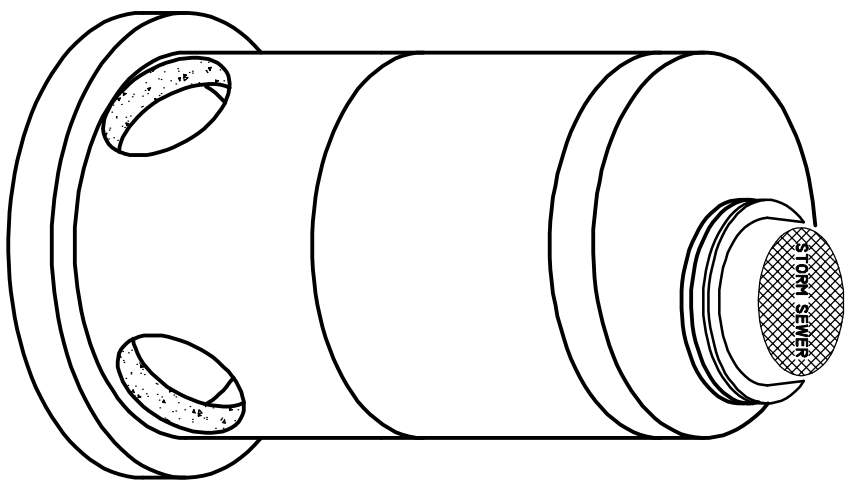
- ASTM C-443
- AASHTO M-315

**JOINT SPECIFICATIONS  
(FILEXIBLE SEALANT)**

- ASTM C-990
- AASHTO M-198-B



SECTION VIEW



ISOMETRIC VIEW

- ECCENTRIC CONCRETE LID SHOWN, CONCENTRIC CONCRETE LID AVAILABLE UPON REQUEST.
- STEPS, RING & COVER, AND KNOCKOUTS OPTIONAL.
- RISERS AVAILABLE UP TO 6'-0" MAXIMUM HEIGHT.
- A MINIMUM OF 12" IS SUGGESTED FOR CONCRETE SUPPORT BETWEEN KNOCKOUTS AND/OR MANHOLE JOINT. MAXIMUM KNOCKOUT SIZE IS 48" DIAMETER.
- PLEASE CALL FOR SPECIAL APPLICATIONS.



725 BRYAN STOCK TRAIL,  
CASPER, WYOMING 82609  
Phone: (307)265-3100  
Fax: (307)265-0013

BY	DATE	SCALE
MDB	-	NONE
<b>60" DIA. STORM SEWER MANHOLE</b>		