

**STANDARD SPECIFICATIONS
(MANUFACTURE)**

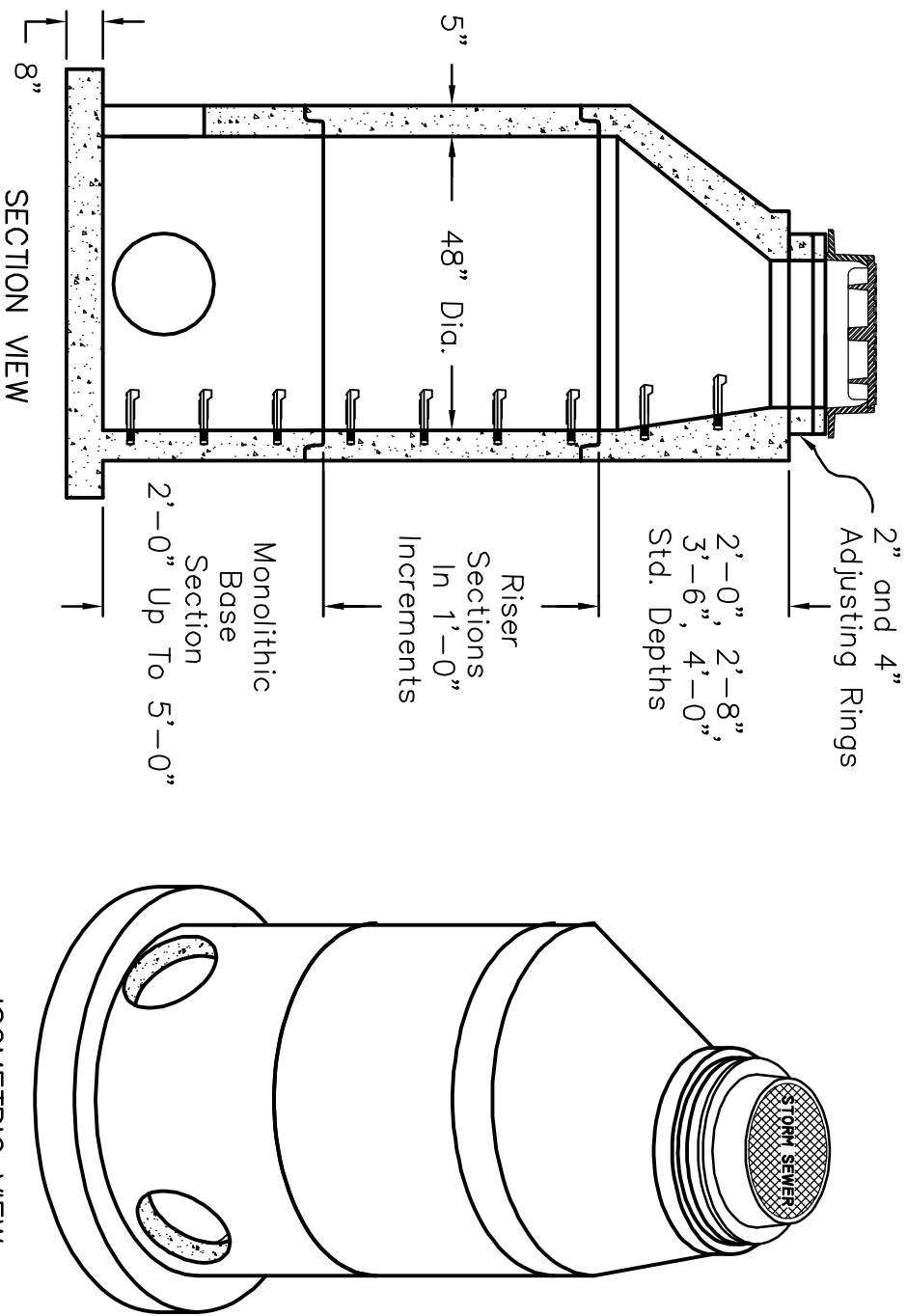
- ASTM C-478
- AASHTO M-199

**JOINT SPECIFICATIONS
(RUBBER GASKET)**

- ASTM C-443
- AASHTO M-315

**JOINT SPECIFICATIONS
(FLEXIBLE SEALANT)**

- ASTM C-990
- AASHTO M-198-B



- ECCENTRIC CONE SHOWN, CONCENTRIC OR 6" FLAT CONCRETE LID AVAILABLE UPON REQUEST.
- STEPS, RING & COVER, AND KNOCKOUTS OPTIONAL.
- RISERS AVAILABLE UP TO 8'-0" MAXIMUM HEIGHT.
- A MINIMUM OF 12" IS SUGGESTED FOR CONCRETE SUPPORT BETWEEN KNOCKOUTS AND/OR MANHOLE JOINT. MAXIMUM KNOCKOUT SIZE IS 40" DIAMETER.
- PLEASE CALL FOR SPECIAL APPLICATIONS.



725 BRYAN STOCK TRAIL,
CASPER, WYOMING 82609
Phone: (307)265-3100
Fax: (307)265-0013

BY MDB | DATE: 2-16-09 | SCALE: NONE
**4.8" DIA. ECCENTRIC
 STORM SEWER MANHOLE**