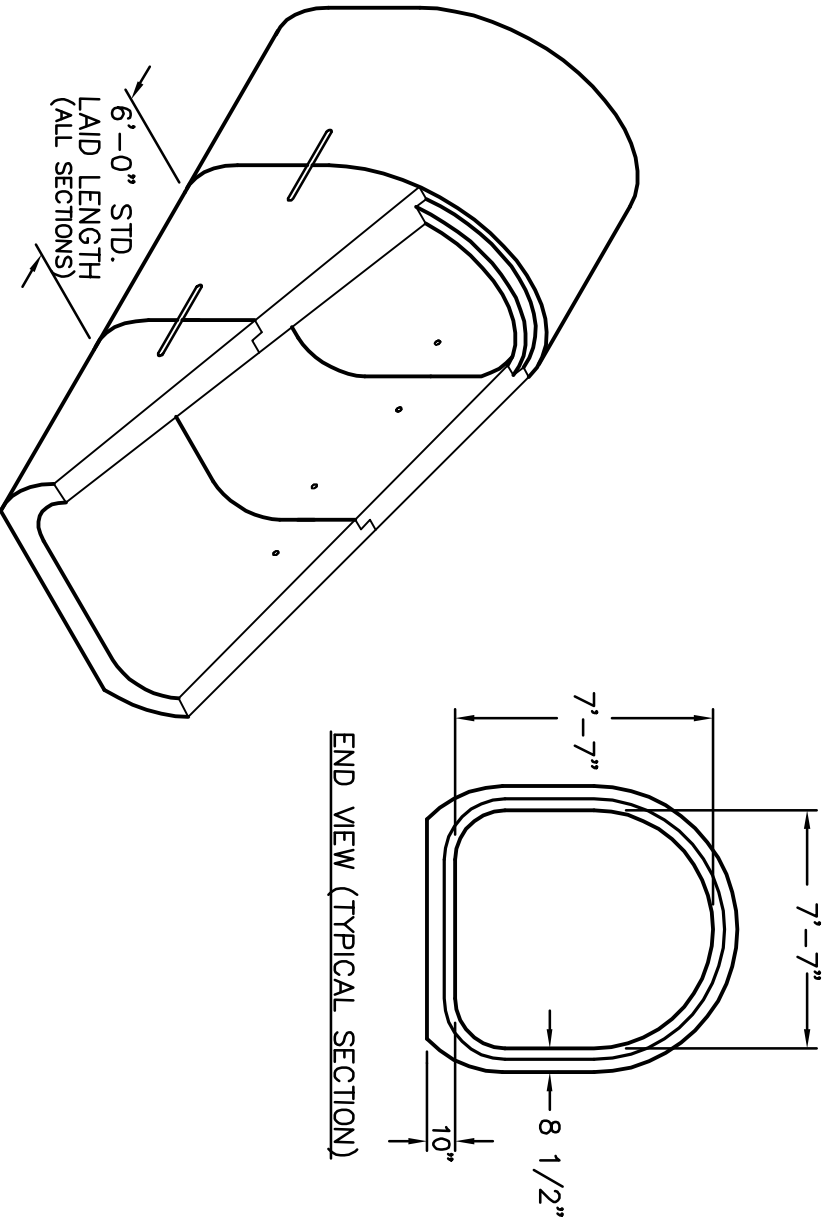


STANDARD SPECIFICATIONS
MANUFACTURE
ASTM C-76 (APPLICABLE SECTIONS)
AASHTO M-170 (APPLICABLE SECTIONS)

JOINT SPECIFICATIONS
(FLEXIBLE SEALANT)
ASTM C 990
AASHTO M-198-B



- THE BOLTS INCLUDED FOR SLOPED END INSTALLATIONS
- INFORMATION SHOWN IS STANDARD. PLEASE CALL FOR SPECIAL APPLICATIONS
- SCALE: NONE



725 BRYAN STOCK TRAIL
CASPER, WYOMING 8260
Phone: (307)265-3100
Fax: (307)265-0013

DRAWN BY: MDB

DATE: 2-18-09

STOCKPASS/
UTILITY TUNNEL